

Technical data sheet

## DSO MODULAR ELECTROSTATIC PURIFIER



# DSO MODULAR ELECTROSTATIC PURIFIER

Modular electrostatic purifier mainly used in centralised systems, suitable for the extraction of fumes and dust during the course of welding processes in general, the thermal welding of plastic materials and for the extraction of oil mist (with an oil recovery tank) ensuing from machine tool processing.

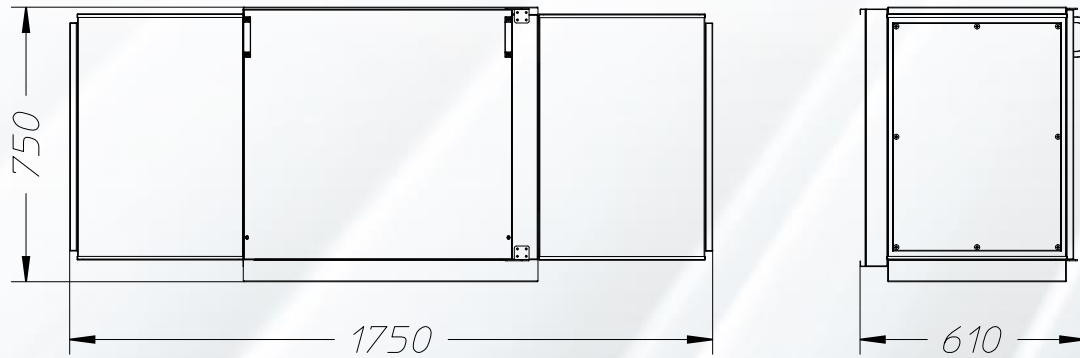
The filter system consists of metallic mechanical filters and of easy-wash two-stage electrostatic cells, which therefore do not require spare parts.

The flow rate of the purifier must be determined based on the needs of installed or planned pipework.

## STANDARD MACHINE TECHNICAL DATA

Item code	MODEL	DIMENSIONS (L x D x H) mm	POWER [KW]	POWER SUPPLY* [V] - [Hz]	FLOW RATE [m³/h]	NOISE LEVEL [dB(A)]
<b>U32210022</b>	DSO	1750x610x750	-	400 - 50	2000	<70

*\*Also available in 110V and 230V versions*



Code	Description
<b>U32210022</b>	<b>DSO MODULAR ELECTROSTATIC PURIFIER</b>

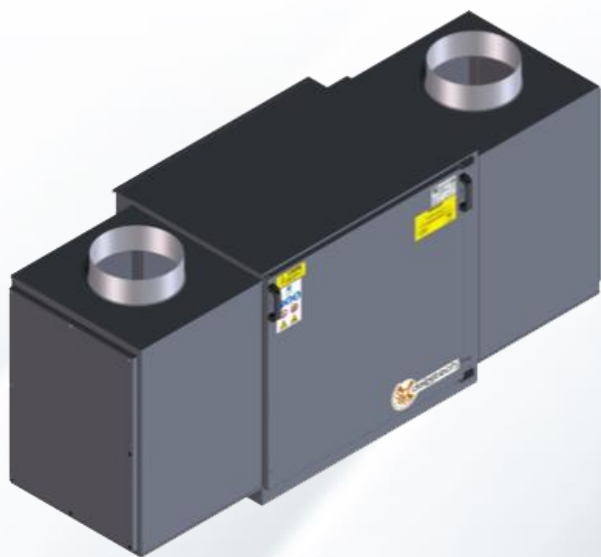
### STANDARD FEATURES

-	EJECTION AND EXTRACTION HOODS
-	REMOTE CONTROL
-	ISOLATION TRANSFORMER
-	METALLIC PREFILTER AND POSTFILTER
-	TWO-STAGE ELECTROSTATIC CELLS (IONISING + CATCHMENT)

### OPTIONAL

E14690000	ELECTRIC FAN ON REQUEST (for plants)
T24260032	ELECTRIC FAN 1.1 KW 400V (for direct OIL intake)
T24260033	ELECTRIC FAN 1.5 KW 400V (for centralised oil and WELDING)
L12100056	OIL RECOVERY TRAY
S28240013	ELECTROSTATIC BLOCKAGE DETECTOR
S28240009	AUTOMATIC START/SHUT-DOWN CIRCUIT
G14240053	COMPLETE WITH A GRIPPER FOR MIG USING AN ELECTROMAGNETIC SENSOR
G14240056	COMPLETE WITH A GRIPPER FOR TIG USING AN ELECTROMAGNETIC SENSOR
D16520037	METALLIC PREFILTER
M22520003	ACTIVATED CARBON FILTER
G14310044	HOUR COUNTER
T24260028	ADDITIONAL TWO-STAGE ELECTROSTATIC CELLS (IONISING + CATCHMENT)

*Further customizations are possible. For information, please contact our sales office.*



Below are some illustrated examples of **DSO ELECTROSTATIC MODULAR PURIFIERS**:



Each 2.0 multiple Purifier is height and width adjustable.

Here are the two versions of the **DSO 4.0**



**DSO 4.0 V**



**DSO 4.0 O**