

Technical data sheet

DC-C MOBILE PURIFIER



dalp̄itech®

DC-C MOBILE PURIFIER

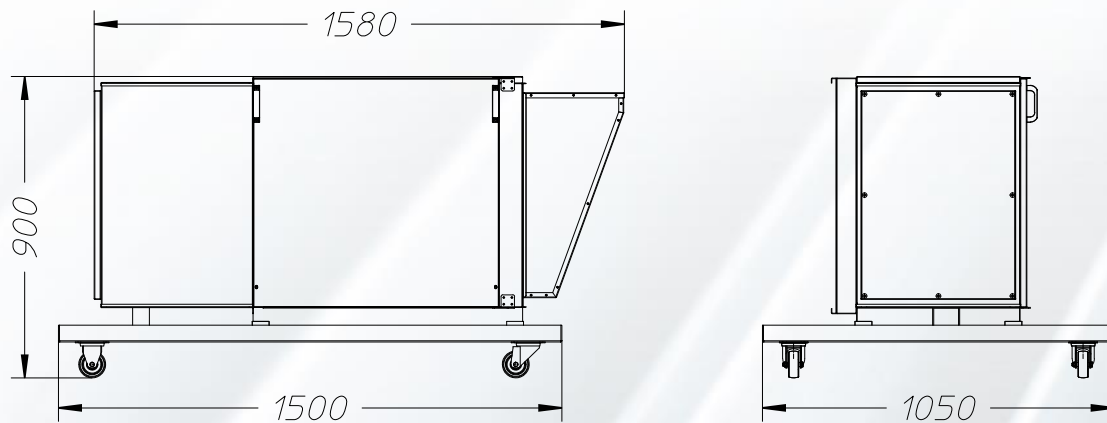
Mobile purifier designed for the extraction of fumes during the course of plastic-material thermal welding processes and the abatement of vapours composed of volatile organic compounds (VOCs).

The filter system consists of synthetic mechanical filters and activated-carbon panels.

We recommend the combination of an Depurex-Series articulated extraction arm or with a flexible hose with an extraction nozzle.

STANDARD MACHINE TECHNICAL DATA

Item code	MODEL	DIMENSIONS (L x D x H) mm	POWER [KW]	POWER SUPPLY [V] - [Hz]	FLOW RATE [m³/h]	NOISE LEVEL [dB(A)]
V37260012	DC-C	1580x1050x900	1.5	400 - 50	2000	<70



Code	Description
V37260012	DC-C MOBILE PURIFIER

STANDARD FEATURES

-	ELECTRIC FAN 1.5 KW 400V
-	ACTIVATED CARBON FILTERS (10 ACTIVATED CARBON FILTERS, 45 KG)
-	EJECTION AND EXTRACTION HOODS
-	WHEELED TROLLEY
-	ON-BOARD ELECTRICAL PANEL

OPTIONAL

T34230007	DEPUREX 2 EXTRACTION ARM Ø160
T34230002	DEPUREX 3 EXTRACTION ARM Ø160
S28240014	MECHANICAL BLOCKAGE DETECTOR

Further customizations are possible. For information, please contact our sales office.



Here are more illustrative images of the DC-C MOBILE MECHANICAL PURIFIER

