

Technical data sheet

BA EXTRACTION BENCHES



BA EXTRACTION BENCHES

Extraction benches equipped with an electric fan used in combination with centralised aspiration systems or filter modules. They are suitable for the extraction of smoke generated by various metal welding processes, of dust generated by grinding processes and of glue vapours (by adding an activated-carbon filtration system).

The filter system consists of a metallic mechanical prefilter.

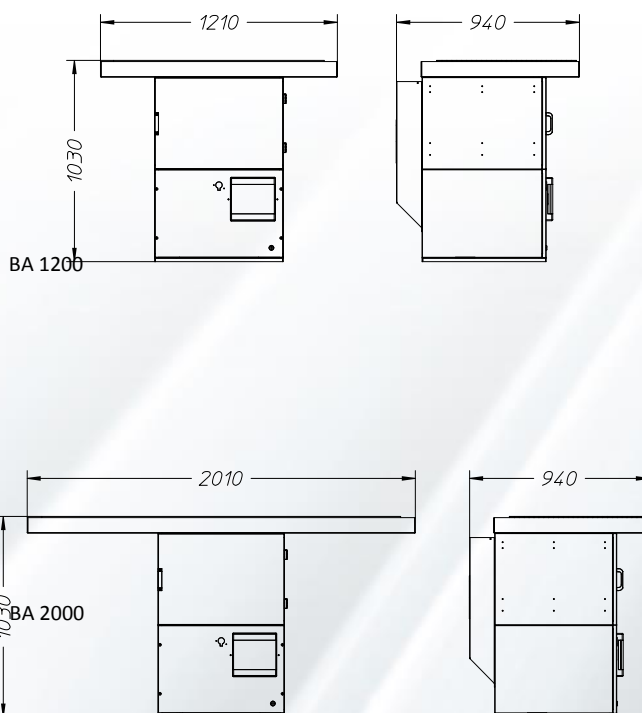
They come with an extraction grate on which to place the pieces being worked on.

They can be equipped with non-extracting protective bulkheads with or without protective glass or extraction bulkheads with anti-rebound fragment protection slats.

STANDARD BENCH TECHNICAL DATA

Item code	Model	DIMENSIONS (L x D x H) mm	POWER [KW]	POWER SUPPLY* [V] - [Hz]	FLOW RATE [m ³ /h]	NOISE LEVEL [dB(A)]
U35260027	BA 1200	1210x940x1030	1.5	400 - 50	2200	<70
U35260028	BA 2000	2010x940x1030	2.2	400 - 50	3000	<70

**Also available in an ATEX version*



Code	Description
U35260027	BA 1200 EXTRACTION BENCH

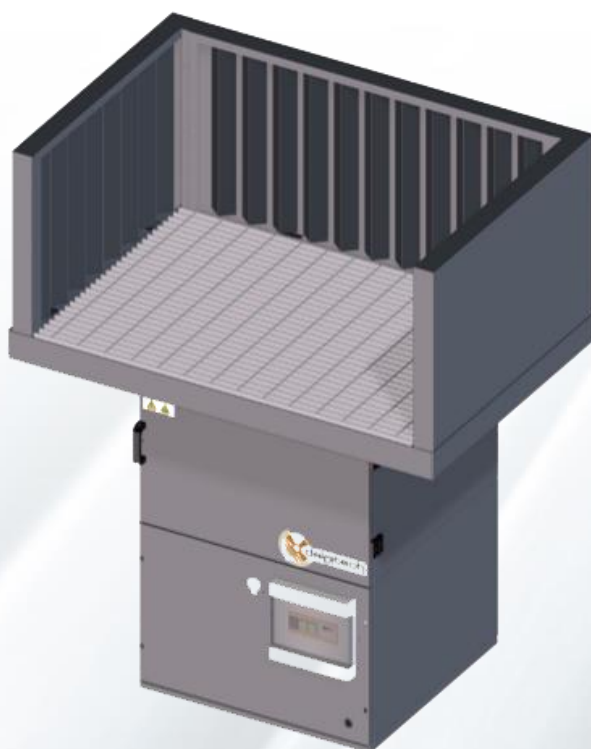
STANDARD FEATURES

-	GRATE AND PLATFORM 1200x800
-	METALLIC PREFILTER
-	ELECTRIC FAN 1.5 KW 400V
-	MECHANICAL BLOCKAGE DETECTOR
-	ON-BOARD ELECTRICAL PANEL

OPTIONAL

L16060008	EXTRACTION BULKHEADS H.500
L16060009	PROTECTIVE BULKHEADS H.500
D16110104	VERTICAL AIR DISCHARGE
D12100008	HORIZONTAL AIR DISCHARGE

Further customizations are possible. For information, please contact our sales office.



Code	Description
U35260028	BA 2000 EXTRACTION BENCH

STANDARD FEATURES

-	GRATE AND PLATFORM 2000x800
-	METALLIC PREFILTER
-	ELECTRIC FAN 2.2 KW 400V
-	MECHANICAL BLOCKAGE DETECTOR
-	ON-BOARD ELECTRICAL PANEL

OPTIONAL

L16060010	EXTRACTION BULKHEADS H.500
L16060011	PROTECTIVE BULKHEADS H.500
D16110104	VERTICAL AIR DISCHARGE
D12100008	HORIZONTAL AIR DISCHARGE

Further customizations are possible. For information, please contact our sales office.

